

Grüv[®] 1.5"

Linear lighting expresses imagination. Great linear lighting imagines the future.

Grüv® 1.5"

Perfect for commercial, retail, and hospitality interiors, the new Grüv 1.5" recessed LED packs a big punch in a small lamp. With its high efficacy and simple, gorgeous lines, Grüv 1.5" can climb walls, cross ceilings, literally go everywhere and be everything you want it to be.

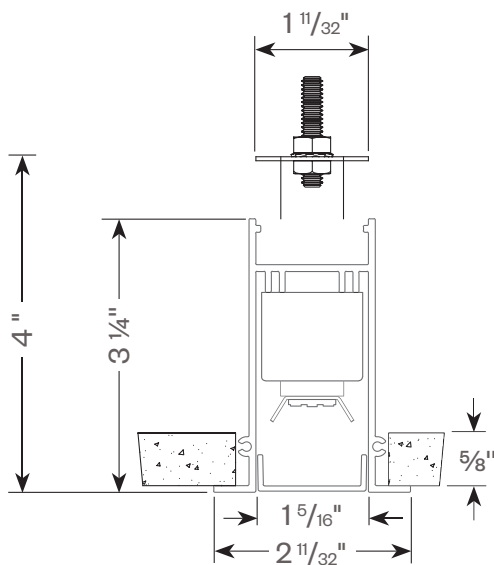
For most current details & ordering information visit us at amerlux.com.

Features & Specs

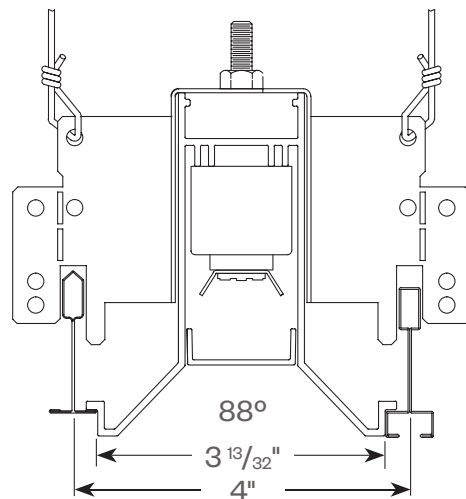
- 1.5" Aperture
- 5W/Ft or 10W/Ft
- Up to 100.8 Lm/W
- Extruded aluminum housing and trim
- Extruded white acrylic lens
- Louver option
- Multi-volt (120-277V) constant current driver
- Dimming options:
 - 0-10V (standard)
 - Lutron Hi-lume®
 - Enlighted sensor available
- Available for Gypsum board (GB) & GRID ceilings
- Available in made to measure and pattern configurations

Models

- Flange (FLG)
- Flare (FR)
- Independent suspension (IS)
- Perimeter "J" Mount (J)



Grüv1.5-FLG



Grüv1.5-FR-GRID



Company Certifications:



3450 South Sam Houston Pkwy E, Suite 400
Houston, TX 77047
T: 281.997.5400 | F: 281.997.5441

Headquarters
178 Bauer Drive, Oakland, NJ 07436
T: 973.882.5010 | F: 973.882.2605
amerlux.com
© 2016 Amerlux, LLC

Oxidated Carpark 2nd Floor
No. 124 Donghuan Road, Donghuan Jie Panyu,
Guangzhou P.R.C. 511400